

RETAIL WEIGHING SOLUTION™

# PR-II series

## Price Computing Scale

PR-II is designed with a low profile and can be conveniently used in open market such as butcher's shop and groceries.

Trade Approved\* (NMI No. 6/4C/346)



Pole Type

High Resolution for Weighing

Low Profile Design

Up to 7 Direct PLUs Memory Function

LCD Display & Back light (White)

Low Profile Design

Existing Products

PR-II



7 Direct PLUs



LCD Display & White Back light



**TRADE**  
APPROVED

NMI No. 6/4C/346

**CAS**

www.casscale.com.au

# PR-II series

## Price Computing Scale



### FEATURE

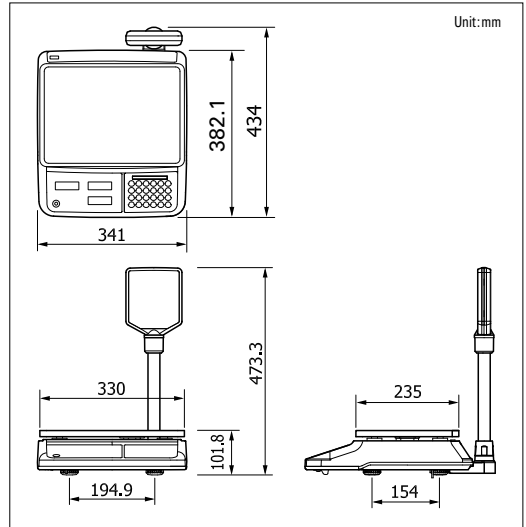
- High Resolution for Weighing  
- A maximum of 900 hours of battery life when used with Mn and Pb batteries together
- Up to 7 Direct PLUs Memory Function ▶
- Low Profile Design  
- Excellent applicability in open market with a low body
- LCD Display & Back light (White) ▶
- Rear Display for Customer (Bench type)



### SPECIFICATIONS

MODEL	PR2-06	PR2-15	PR2-32
Capacity	6kg	15kg	32kg
Division	1/2(g) Dual	2/5(g) Dual	5/10(g) Dual
Resolution	1/3,000		
Display	6/6/6 Digit LCD & Back light (White) Minimum		
Symbols	STABLE, ZERO, TARE, Battery Remaining battery life indicated		
Keys	NUMBER , ZERO, TARE, FUNCTION , M1 – M7 KEY		
Functions	Direct PLU 7, Unit Conversion, Power Sleep Mode, Backlight Mode		
Operation Time	Approx. D size Battery = 500hr Or Pb Battery = 400hr (Backlight off) Approximately 900 hours consecutively when equipped with Mn Battery and Pb Battery together		
Power	1.5V x 3 units (D size Battery) or Pb battery 4V 4Ah or 6V Adapter		
Dimensions	330 (W) x 380(D) x 105(H)		
Platter Size	330 (W) x 235(D)		
Product Weight	Bench Type : 3.24kg // Pole Type : 3.52kg		

### DIMENSION



CAS SCALE AUSTRALIA PTY LTD  
 UNIT 8, 459 TUFRNELL RD BANYO QLD 4014  
 TEL (07) 32677767  
 FAX (07) 32671818

Specifications are subject to change without notice improvement



www.casscale.com.au **CAS**