

WCS

Wheelchair Scale

The WCS Wheelchair scale is a platform scale with a ramp specifically designed for weighing patients confined to wheelchairs. The low profile design with hand rails support ensures safety of patients while being weighed.

- Low profile platform with ramp
- Robust steel structure with powder coating finish
- Stainless steel Indicator with 13mm LED display
- Rechargeable battery operation or AC power supply
- Tare Function to subtract wheelchair weight
- Safety rails to secure chair and patient
- RS232 Interface (PC/ printer connection)
- One year manufacturer's warranty



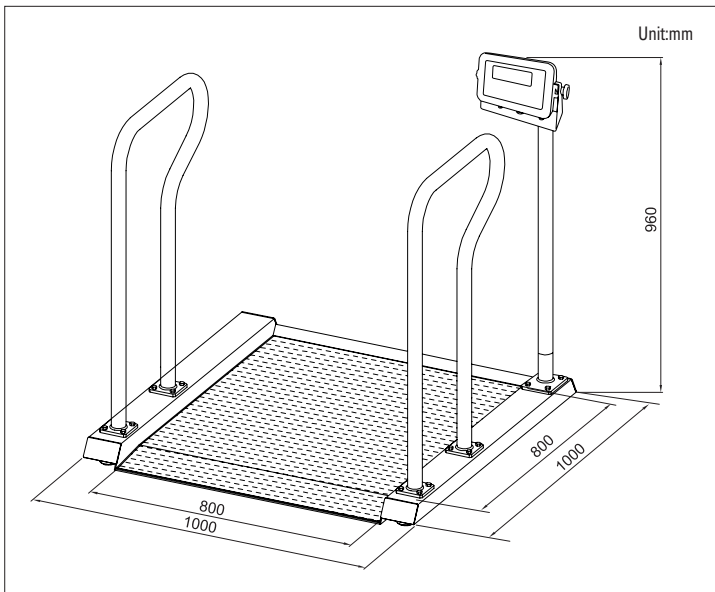
WCS | Wheelchair Scale

Specifications

Model	WCS Series
Capacity (kg)	500
Readability (g)	100
Power source	12V, 1A
Key Functions	Zero, Tare, Gross/net, Print
Display	LED
Platform (mm)	1000 (L) x 1000 (W)
Dimensions (mm)	1000 (L) x 1000 (W) x 1200 (H)
Product weight (kg)	110



Dimensions



CAS

UNIT 8, NORTHLINK, 459 TUFNELL ROAD
BANYO QLD 4014, AUSTRALIA

TEL_ +61 7 3267 7767 FAX_ +61 7 3267 1818

EMAIL_ sales@cassscale.com.au

www.cassscale.com.au

Specifications are subject to change for improvement without prior notice.

CAS