



1" LCD Display with  
backlight



Wireless Remote  
Control

# NC-1 SERIES

## Crane Scale

The NC-1 Crane Scale is a portable easy to use crane scale. Equipped with a wireless remote control function which makes operation more efficient and safe. Use in recycling or any other light industrial applications.

- Maximum Capacity: 500kg
- Peak hold function
- Average hold function
- Wireless remote control
- LCD display with backlight
- AC & rechargeable battery operation
- Auto calibration
- Auto zero tracking



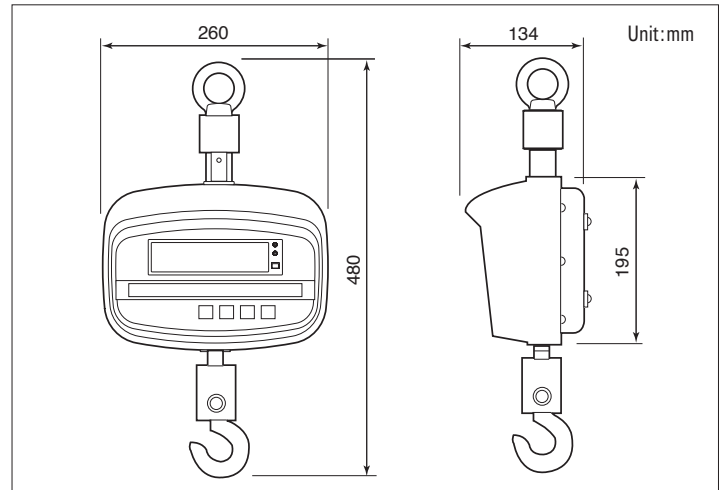
**CAS**

# NC-1 SERIES | Crane Scale

## SPECIFICATIONS

Model	NC-1 Series		
Max. Capacity (kg)	100	200	500
Readability (g)	50	100	200
Max Tare	Full Tare		
Display Designators	Zero, Tare, Batt.		
Display Type	LCD (1 inch)		
Operating Temp.	-10°C ~ 40°C		
Power	AC adapter DC 12V, Rechargeable Battery		
Battery Life	Approx. 37~50hrs (Backlight off) 2~6hr recharge time		
Dimensions (mm)	260(W) x 134(D) x 480(H)		
Product Weight (kg)	5.5		

## DIMENSIONS



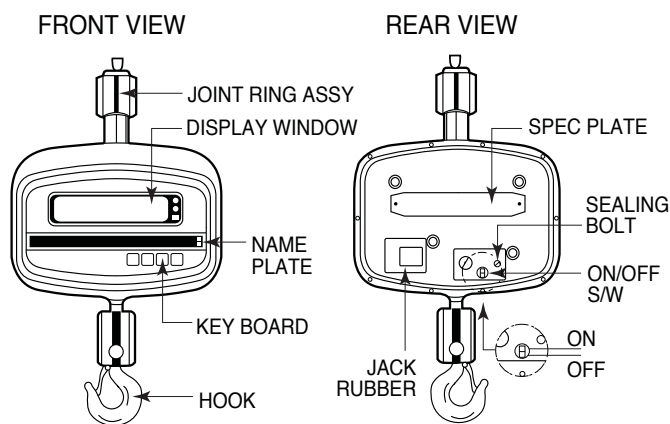
## FEATURES

- Battery Operated with Low Battery Indication
- Standard AC Adapter
- Aluminum Die-casting Case
- On / Off, Zero, Tare, and Hold(or kg / lb) Functions
- Easy-to-Read LCD Display with Backlight Feature
- Peak Hold & Average Hold Function
- Auto Zero Tracking & Auto Span Adjustment
- Wireless Remote Control

## DISPLAY



## OVERALL VIEW



# CAS

UNIT 8, NORTHLINK, 459 TUFNELL ROAD  
BANYO QLD 4014, AUSTRALIA

TEL: +61 (0)7 3267 7767 FAX: +61 (0)7 32 67 1818

EMAIL: sales@cassscale.com.au

<http://www.cassscale.com.au>

Specifications are subject to change for improvement without prior notice.